

HL53 – Serie

Shower channel modifications

The proven **HL53 shower channel** system for barrier-free showers now features new functions and specific improvements – while maintaining its well-known strengths. The new HL53 system has been adapted to **modern construction requirements** and technically optimized.

Simplified installation ensures a clear and reliable assembly process and saves valuable time for installers. In order to meet the requirements of the updated ÖNORM B2501, the HL53 system will now be available with the innovative and well-known **Primus Blue hybrid trap system**.

Well-designed new features complement the proven advantages of the system and make HL53 a **future-proof drainage solution for modern building services**.



Modifications of the new HL53:

Simplified installation: Quick-clamping system for mounting feet

The new **quick-clamping system** enables **fast pre-adjustment and precise height alignment** to the floor level by the adjustable mounting feet. After the initial setting, the mounting feet can be fixed in place and can then be easily and precisely fine-adjusted. This system significantly simplifies and speeds-up the installation and ensures a stable and reliable installation.



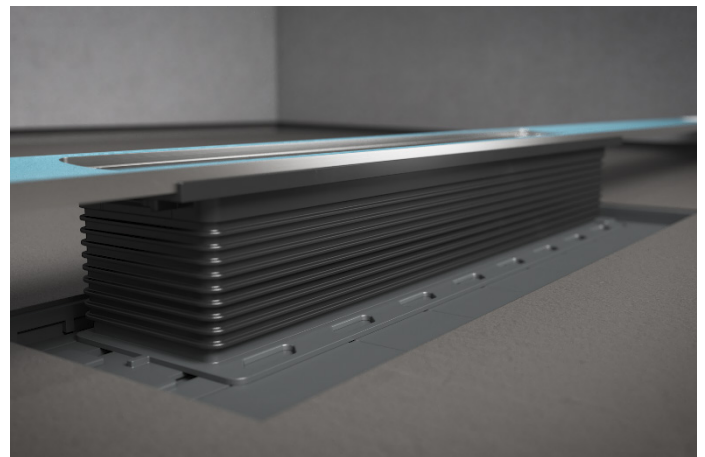
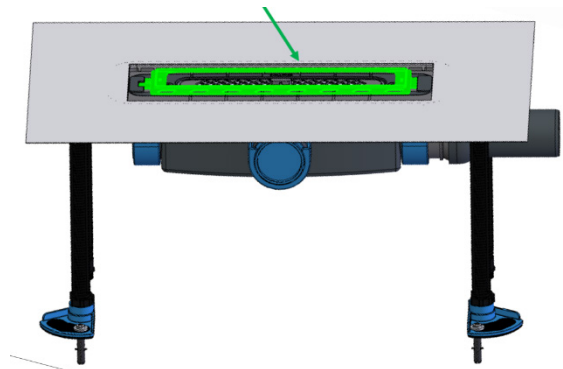
new quick-clamping system

Easy installation: Integrated positioning aid

The previously separately supplied positioning aid has been replaced by an **adjustment frame permanently integrated into the drain body**. The positioning frame is now automatically part of the installation process. As a result, it cannot be misplaced or missed out, it helped to a more reliable and clearly structured installation.

The fix installed positioning frame allows precise adjustment to the wall- and floor coverings as well as an accurate alignment to the tile layout. At the same time, it provides more stable and defined guidance for the shower channel frame. **Instead of resting flat, the frame is now guided and clearly positioned by the integrated adjustment frame.** This creates a perfect connection between the drain body and the drainage-strip and minimize potential installation failures.

The **adjustment frame can be rotated by 180°**, providing flexibility for different covering thicknesses and installation situations.

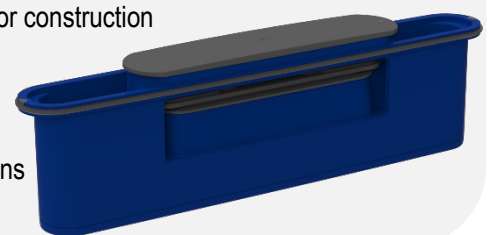


Primus Blue hybrid odor barrier system now available for the shower channel

The new version HL53Prblue.0 as well as the flat model HL53FPblue.0, a **hybrid odor barrier system** is now available for the HL53 system for the first time. This system combines the function of a classic water trap with a **mechanical odour barrier**, providing a significant higher level of operational reliability – especially in modern floor constructions with low installation heights.

Primus Blue overview

- Mechanical odor barrier + water seal
- Tight up to +800 Pa overpressure and to -400 Pa negative pressure
- Reliable function even when the water seal dries out – ideal for flat floor construction
- Removable and easy to clean, with free access to the drainage pipe
- Complies with ÖNORM B2501 and EN1253 Part 8
- Stable drainage behaviour even under unfavourable pressure conditions



Easy cleaning and advantages for low floor constructions

Two typical challenges for flat floor constructions:

1. **Fast evaporation** or sucking out the water seal of the trap → risk of bad smell coming out from the drainage pipe
2. **Low dynamic pressure** → deposits flushed away less easily and blockages occur more quickly.

The flat version HL53FPblue.0 (minimum installation height 65 mm) is specially designed to meet these requirements and offers two key advantages:

- **Odor-tight even without water seal**
The mechanical odor barrier keeps absolutely odor-tight even without water seal
- **Removable trap – easy cleaning**
The trap can be completely removed, allowing an easy cleaning and providing free access to the drainage pipe. Perfect for low dynamic pressure and frequently blockages.

Alternative for standard installations: classic water trap

For installations, where the risk of evaporation or sucking out the water seal of the trap, due to unfavourable pressure conditions **is not a limiting factor**, the proven version **HL53.0** with classic odor trap with sealing water is still available. This version complies with the standard ÖNORM B2501 part 1 and EN1253.

Thus, based on the specific construction situation, the optimal odor trap can be selected.

Thinner floor coverings & compatibility with the previous model

The new HL53 shower channel has been adapted to meet current construction requirements and is now also suitable for thinner floor coverings. All tiles and ceramics with a thickness of **6 mm or more** can be installed.

As part of these adjustments, the profile thickness and the frame of the drainage-strip have been optimized as well. Despite these technical changes, the **compatibility with previous models** is given, allowing existing systems to be supplemented. The well-known **high-quality design of the HL053 stainless steel covers** is fully preserved.

An overview of compatibility can be found in the HL53 product download area on our website.

Different versions & designs

In addition to the above-described versions **HL53Prblue.0**, **HL53FPblue.0**, and **HL53.0**, further versions are available for special requirements. **HL53Duo.0** is suitable for applications with increased drainage capacity, while **HL53V.0** provides a solution for vertical installation situations.

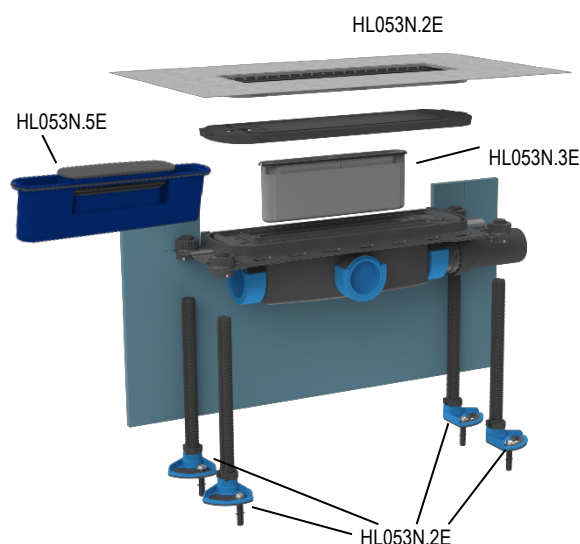
The full range of existing drainage-strip designs is retained. In addition to the cost-effective **standard version in matt stainless steel**, the two solid designs in polished and matt finishes are still available. The new version with **black PVD coating** has been added, providing an additional visual accent.

HL53.0 Drain body for showerchannel, MIN. HEIGHT 90 MM !
HL53Prblue.0 Drain body for showerchannel, MIN. HEIGHT 90 MM !

Data

Capacity	above drain level	10 mm	20 mm
	HL53.0:	0,61 l/s	0,83 l/s
	HL53Prblue.0:	0,45 l/s	0,55 l/s
Material	PP		
Outlet	DN50		
Height	90 - 250 mm adjustable		
Norm	EN 1253		
Odor trap	HL53.0: 50 mm		
	HL53Prblue.0: New Primus blue combined trap with sealing water and mechanical odor barrier (absolutely odor-tight even without water). backflowproof up to 30 cm water column		
Fits to	HL053S, HL053WS, HL053M(P), HL052M(P)		
Additional information	Incl. removable trap and flexible waterproofing membrane.		
Installation	Installation wallside or in the surface. Please see movie www.hl.at		

HL53.0
HL53Prblue.0



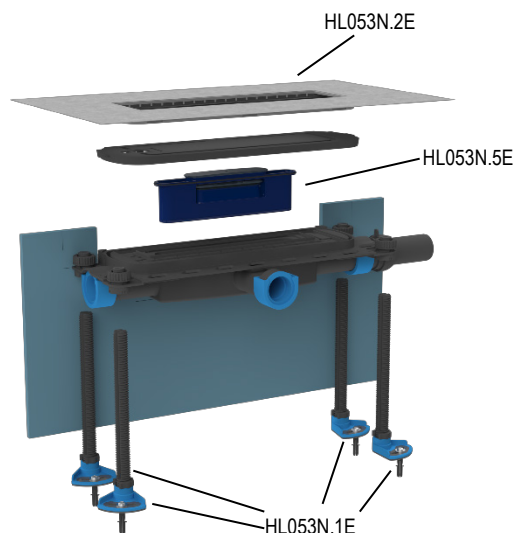
HL-Nr.	Material	Dimension	EAN
53.0	PP	DN50	+003846
53Prblue.0	PP	DN50	+003822

HL53FPblue.0 Drain body flat for showerchannel, MIN. HEIGHT 65 MM !

Data

Capacity	Anstauhöhe 10 mm:	0,39 l/s
	Anstauhöhe 20 mm:	0,48 l/s
Material	PP	
Outlet	DN40	
Height	65 - 250 mm adjustable	
Norm	EN 1253	
Odor trap	New Primus blue, combined odor trap with sealing water and mechanical odor barrier (absolutely odor-tight even without water). Backflow-proof up to 30 cm accumulation height.	
Fits to	HL053S, HL053WS, HL053M(P), HL052M(P)	
Additional information	Incl. removable trap and flexible waterproofing membrane.	
Installation	Installation wallside or in the surface. Please see movie www.hl.at	

HL53FPblue.0



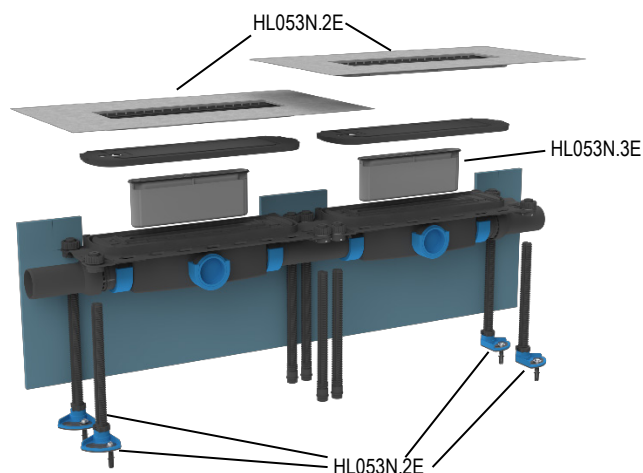
HL-Nr.	Material	Dimension	EAN
53FPblue.0	PP	DN40	+003907

HL53Duo.0 Drain body for shower channel HL053M(P).2, INSTALLATION HEIGHT 90 MM!

Data

Capacity	20 mm above drain level: 1,45l/s; 10 mm above drain level: 0,9l/s;
Material	PP
Outlet	2 x DN50
Height	90 - 250 mm adjustable
Norm	EN 1253
Odor trap	50 mm water trap
Fits to	HL053M.2, HL053P.2
Additional information	incl. removable water traps, 2 flexible waterproof membranes and fixing legs; installation only close to the wall;
Installation	Only close to the wall

HL53Duo.0



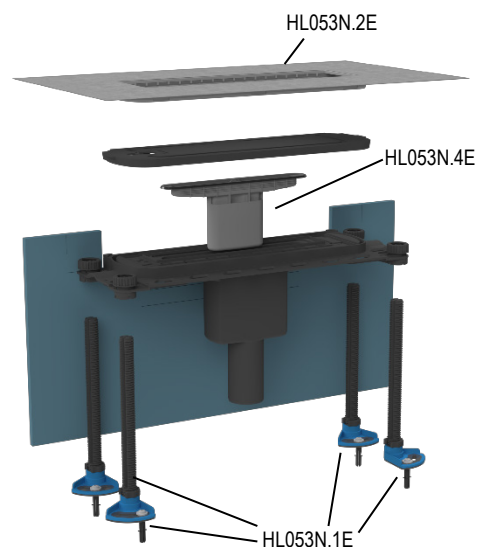
HL-Nr.	Material	Dimension	EAN
53Duo.0	PP	2 x DN50	+003884

HL53V.0 Drain body vertical for showerchannel

Data

Capacity	20 mm above drain level: 0,93 l/s 10 mm above drain level: 0,98 l/s
Material	PP
Outlet	DN50
Height	30 - 131 mm adjustable
Norm	EN 1253
Odor trap	50 mm water trap
Fits to	HL053S, HL053WS, HL053M(P), HL052M(P))
Additional information	ncl. removable odor trap and flexible waterproofing membrane, installation in the surface or close to the wall, incl. 4 adjustable fixing legs
Installation	In the surface of the shower or close to the wall

HL53V.0



HL-Nr.	Material	Dimension	EAN
53V.0	PP	DN50	+003945

HL053M/.... Design shower channel made of matt stainless steel with integrated cross slope

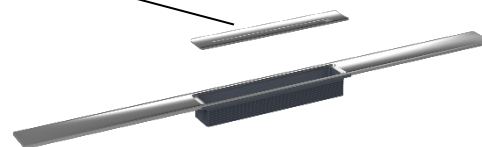
HL053P/... Design shower channel made of polished stainless steel with integrated cross slope

Data

Material	Edelstahl V2A (1.4301) massiv 6 mm
Dimension	Please see chart
Load classification	K3 - max. 300 kg
Fits to	HL53.0, HL53Prblue.0, HL53FPblue.0, HL53V.0
Additional information	In combination with drain body HL53K(F), drainage strip with multiple precision slope usage for: floor tiles 8 - 36 mm and wall tiles 8 - 25 mm (incl. tile glue)
Included	Installation accessories and lot cover
Installation	Installation wallside or in the surface

HL053

Matt: HL053M.2E
Poliert: HL053P.2E



HL-Nr.	Material	Dimension	Surface	EAN
053M/80	Stainless steel V2A	800 x 55 x 5 mm	matt	+041428
053M/90	Stainless steel V2A	900 x 55 x 5 mm	matt	+041282
053M/100	Stainless steel V2A	1000 x 55 x 5 mm	matt	+041305
053M/110	Stainless steel V2A	1100 x 55 x 5 mm	matt	+041312
053M/120	Stainless steel V2A	1200 x 55 x 5 mm	matt	+041329
053M/130	Stainless steel V2A	1300 x 55 x 5 mm	matt	+041336
053M/140	Stainless steel V2A	1400 x 55 x 5 mm	matt	+041343
053M/150	Stainless steel V2A	1500 x 55 x 5 mm	matt	+041350
053P/80	Stainless steel V2A	800 x 55 x 5 mm	polished	+041428
053P/90	Stainless steel V2A	900 x 55 x 5 mm	polished	+041466
053P/100	Stainless steel V2A	1000 x 55 x 5 mm	polished	+041367
053P/110	Stainless steel V2A	1100 x 55 x 5 mm	polished	+041374
053P/120	Stainless steel V2A	1200 x 55 x 5 mm	polished	+041381
053P/130	Stainless steel V2A	1300 x 55 x 5 mm	polished	+041398
053P/140	Stainless steel V2A	1400 x 55 x 5 mm	polished	+041404
053P/150	Stainless steel V2A	1500 x 55 x 5 mm	polished	+041411

HL053S/.... Shower channel „Standard“ made of stainless steel with integrated cross slope

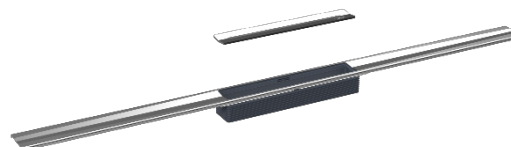
HL053Sblack/.... Shower channel „Standard“ made of stainless steel PVD black matt with integrated cross slope

Data

Material	Stainless steel V2A (1.4301)
Dimension	Please see chart
Load classification	K3 - max. 300 kg
Fits to	HL53.0, HL53Prblue.0, HL53FPblue.0, HL53V.0
Additional information	in combination with drain body HL53K(F), drainage strip with integrated cross slope; usage for floor tiles 8 - 36 mm and wall tiles 8 - 25 mm (incl. tile glue). may be cut to minimum length of 450mm
Included	Installation accessories and lot cover
Installation	Installation wallside or in the surface

HL053S

Matt: HL053M.2



HL053Sblack

Matt: HL053M.2



HL-Nr.	Material	Dimension	Surface	EAN
053S/90	Stainless steel V2A	900 x 55 x 1,5 mm	matt	+045211
053S/100	Stainless steel V2A	1000 x 55 x 1,5 mm	matt	+045198
053S/120	Stainless steel V2A	1200 x 55 x 1,5 mm	matt	+045204
053Sblack/90	Stainless steel V2A	900 x 55 x 1,5 mm	matt black	
053Sblack/100	Stainless steel V2A	1000 x 55 x 1,5 mm	matt black	
053Sblack/120	Stainless steel V2A	1200 x 55 x 1,5 mm	matt black	

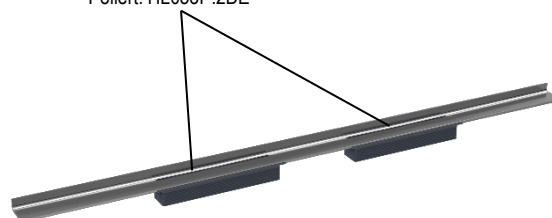
HL053M.2/... Design shower channel made of matt stainless steel with integrated cross slope
HL053P.2/... Design shower channel made of polished stainless steel with integrated cross slope

Daten

HL053

Material	Stainless steel V2A (1.4301) massiv 6 mm
Dimension	Please see chart
Load classification	K3 - max. 300 kg
Fits to	HL53Duo.0
Additional information	In combination with drain body HL53K(F), drainage strip with multiple precision slope usage for: floor tiles 8 - 36 mm and wall tiles 8 - 25 mm (incl. tile glue)
Included	Installation accessories and lot cover
Installation	Installation wallside or in the surface

Matt: HL053M.2DE
 Poliert: HL053P.2DE



HL-Nr.	Material	Dimension	Surface	EAN
053M.2/130	Stainless steel V2A	1300 x 58 x 25 mm	matt	+047642
053M.2/140	Stainless steel V2A	1400 x 58 x 25 mm	matt	+047659
053M.2/150	Stainless steel V2A	1500 x 58 x 25 mm	matt	+047666
053M.2/160	Stainless steel V2A	1600 x 58 x 25 mm	matt	+047673
053M.2/170	Stainless steel V2A	1700 x 58 x 25 mm	matt	+047680
053M.2/180	Stainless steel V2A	1800 x 58 x 25 mm	matt	+047697
053M.2/190	Stainless steel V2A	1900 x 58 x 25 mm	matt	+047703
053M.2/200	Stainless steel V2A	2000 x 58 x 25 mm	matt	+047710
053P.2/130	Stainless steel V2A	1300 x 58 x 25 mm	polished	+047727
053P.2/140	Stainless steel V2A	1400 x 58 x 25 mm	polished	+047734
053P.2/150	Stainless steel V2A	1500 x 58 x 25 mm	polished	+047741
053P.2/160	Stainless steel V2A	1600 x 58 x 25 mm	polished	+047758
053P.2/170	Stainless steel V2A	1700 x 58 x 25 mm	polished	+047765
053P.2/180	Stainless steel V2A	1800 x 58 x 25 mm	polished	+047772
053P.2/190	Stainless steel V2A	1900 x 58 x 25 mm	polished	+047789
053P.2/200	Stainless steel V2A	2000 x 58 x 25 mm	polished	+047796

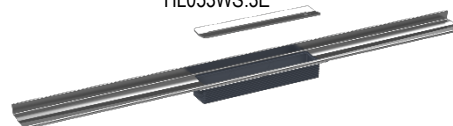
HL053WS Shower channel „Standard“ made of stainless steel with integrated cross slope

Daten

HL053WS

Material	Stainless steel V2A (1.4301)
Dimension	Please see chart
Load classification	K3 - max. 300 kg
Fits to	HL53.0, HL53Pblue.0, HL53FPblue.0, HL53V.0
Additional information	Zum Einbau mit Ablaufkörper HL53-Serie , Duschrinne mit integriertem Quergefälle und 2 cm hoher Wandaufkantung, geeignet für Bodenbeläge 8 - 36 mm und Wandbeläge von 8 -28 mm (inkl. Kleberbett). Duschrinne kann mind. auf 450 mm Länge zugeschnitten werden.
Included	Installation accessories and lot cover
Installation	Installation wallside or in the surface

HL053WS.3E



HL-Nr.	Material	Dimension	Surface	EAN
053WS/90	Stainless steel V2A	900 x 63 x 25 mm	matt	+048991
053WS/100	Stainless steel V2A	1000 x 61 x 20 mm	matt	+048977
053WS/120	Stainless steel V2A	1200 x 61 x 20 mm	matt	+048984

Available from: 05/2026

Price: see price list